

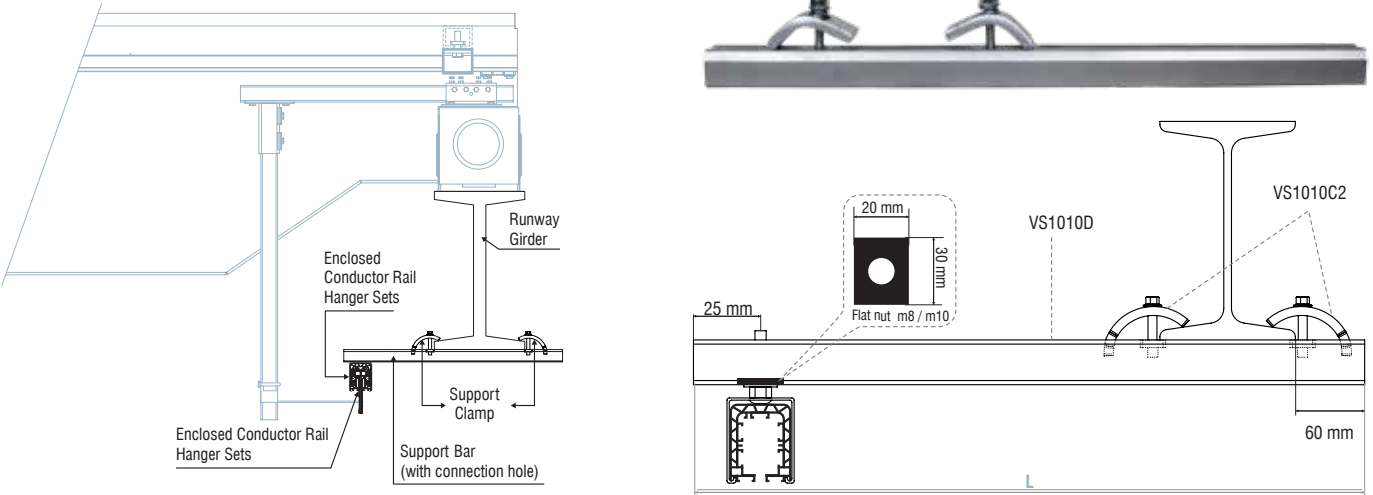


Additional Products for Platform Cable Festoon System Applications

Please click the product code that you interest and add the quantity

Towing Arm Sets (for towing trolley)		Towing Arm Sets (for enclosed conductor rail collector)	
VS1008AS1 <input type="text"/> Pcs		VS1008BS1 <input type="text"/> Pcs	
VS1008AS2 <input type="text"/> Pcs		VS1008BS2 <input type="text"/> Pcs	

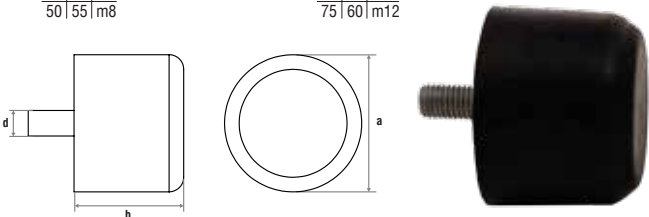
Enclosed Conductor Rail Hanger Sets **VS1008C28/....** **Pcs** **L:** **mm**



Runway Girder
Enclosed Conductor Rail Hanger Sets
Support Clamp
Support Bar (with connection hole)
Enclosed Conductor Rail Hanger Sets
25 mm
20 mm
30 mm
Flat nut m8 / m10
VS1010D
VS1010C2
60 mm

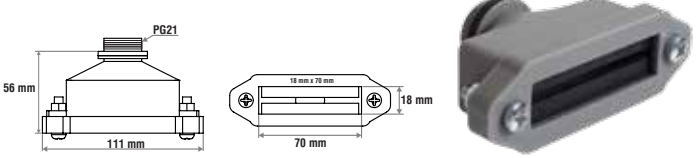
Rubber Buffers with Mounting Bolt

VS1005C-50x55 <input type="text"/> Pcs	VS1005C-75x60 <input type="text"/> Pcs
a b d 50 55 m8	a b d 75 60 m12



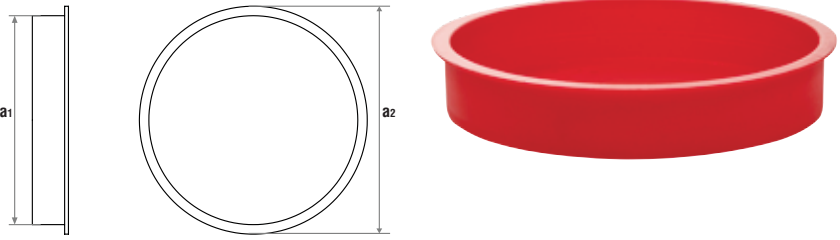
Cable Gland for Platform Cable PG21(18mmx70mm)

VS1028F-FG21/18x70 **Pcs**



End Carriage Caps

VS1004Y-120 <input type="text"/> Pcs	a1:120	a2:130
VS1004Y-150 <input type="text"/> Pcs	a1:150	a2:160



To get more information about the products in this form, please check our VS1028 Series C-Rail Festoon System catalog

The products in this form are used in conventional system applications. Please contact with our company about the equipments which will be used in different system and working conditions or any technical support you need. Our technical team and sales staff will be happy to provide you with support.