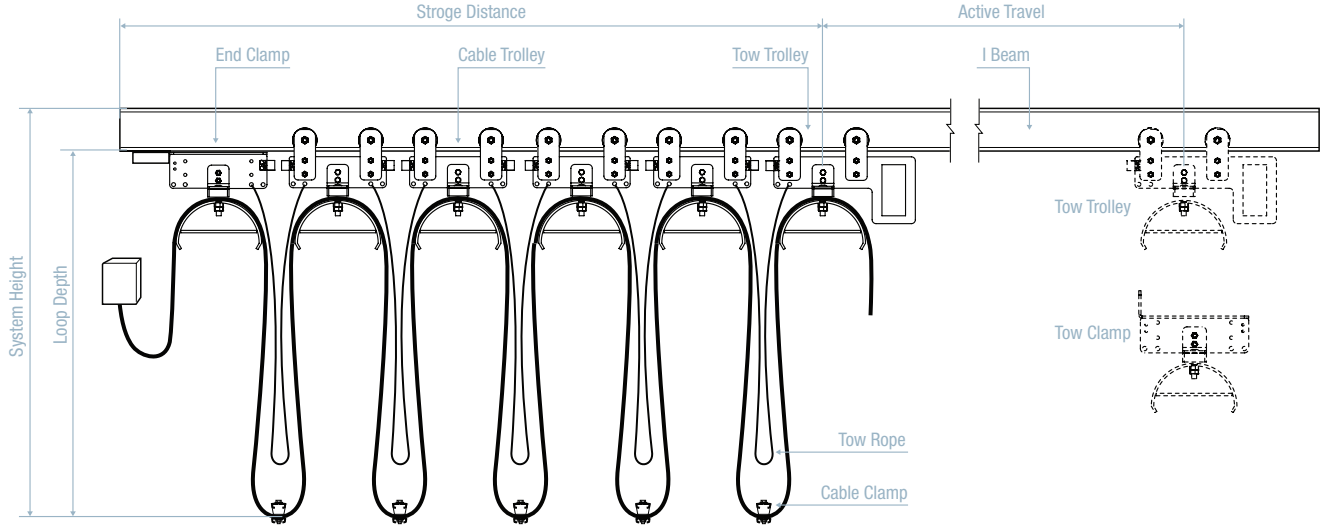


**Company Information**

Date : .....  
 Company Name : .....  
 Address : .....  
 Contact Person : .....

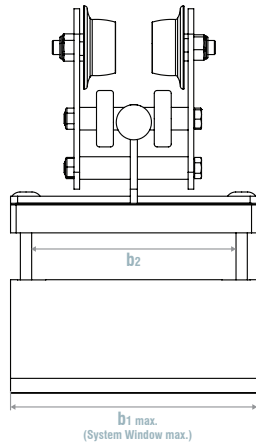
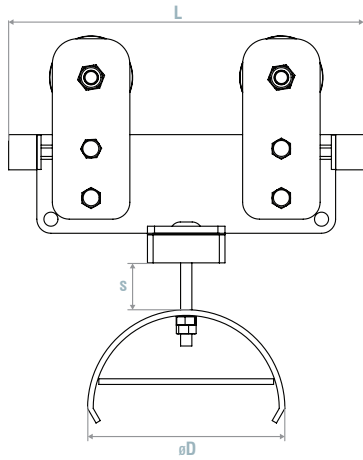
Phone : .....  
 Fax : .....  
 E-mail : .....@.....

Please answer all the following questions as accurately as possible. This information will form the basis of our quotation to you.



Travel Speed : .....m/min  
 Load Capacity (per trolley) : .....kg  
 Towing Selection :  Tow Trolley  Tow Clamp  
 Tow Rope :  Yes  No

Cable Clamp :  Yes  No  
 Main Roller Selection :  FB Type  C Type  
 Antilift Roller Selection :  Yes  No  
 Side Guide Roller Selection :  Yes  No

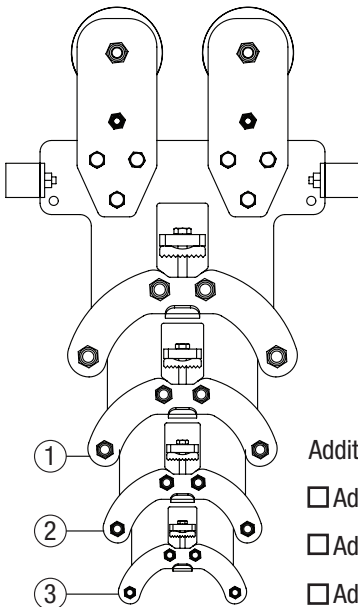
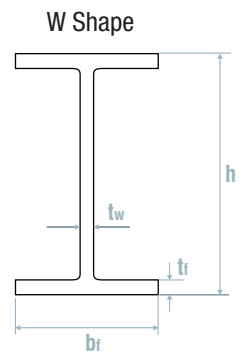
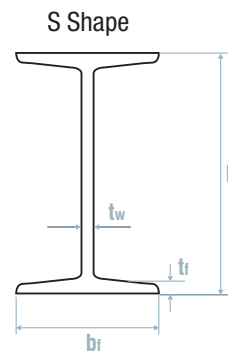


L : .....mm  
 s : .....mm  
 øD : .....mm  
 b1 max. : .....mm  
 b2 : .....mm

Beam size / standard ...../.....

S Shape  W Shape

h : .....mm  
 bf : .....mm  
 tw : .....mm  
 tf : .....mm



**Additional Saddle Selection**

Additional Saddle 1 b2 : ...../ øD : ...../ s : .....mm  
 Additional Saddle 2 b2 : ...../ øD : ...../ s : .....mm  
 Additional Saddle 3 b2 : ...../ øD : ...../ s : .....mm